

Synchronous Control and State Machines in Modelica

Hilding Elmqvist
Dassault Systèmes

Sven Erik Mattsson, Fabien Gaucher, Francois Dupont
Dassault Systèmes

Martin Otter, Bernhard Thiele
DLR

Content

- Introduction
- Synchronous Features of Modelica
 - Synchronous Operators
 - Base-clock and Sub-clock Partitioning
- Modelica_Synchronous library
- State Machines
- Conclusions

Introduction

- Why synchronous features in Modelica 3.3?

```
model Asynchronous_Modelica32
```

```
  Real x(start=0,fixed=true),  
  y(start=0,fixed=true), z;
```

```
equation
```

```
  when sample(0,0.33) then
```

```
    x = pre(x)+1;
```

```
  end when;
```

```
  when sample(0,1/3) then
```

```
    y = pre(y)+1;
```

```
  end when;
```

```
  z = x-y;
```

```
end Asynchronous_Modelica32;
```

```
model Asynchronous_Modelica33
```

```
  Real x(start=0,fixed=true),  
  y(start=0,fixed=true), z;
```

```
equation
```

```
  when Clock(0.33) then
```

```
    x = previous(x)+1;
```

```
  end when;
```

```
  when Clock(1,3) then
```

```
    y = previous(y)+1;
```

```
  end when;
```

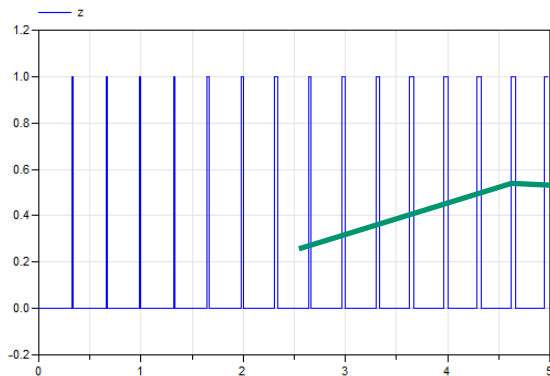
```
  z = x-y;
```

```
end Asynchronous_Modelica33;
```

Implicit hold

Rational number 1/3

x and y must have the same clock



$z = x - y$

✘ A subclock partition includes clocks that cannot be deduced to be equal.

```
Clock(1, 3)  
Clock(0.33)  
appears in the partition  
when Clock_1 then  
  y = previous(y)+1;  
end when;
```

```
when Clock_0 then  
  x = previous(x)+1;  
end when;
```

```
z = x-y;
```

- Error Diagnostics for safer systems!

Introduction

- Scope of Modelica extended
- Covers complete system descriptions including controllers

- Clocked semantics
- Clock associated with variable type and inferred
- For increased correctness
- Based on ideas from Lucid Synchrone and other synchronous languages
- Extended with multi-rate periodic clocks, varying interval clocks and Boolean clocks

Synchronous Features of Modelica

- Plant and Controller Partitioning
- Boundaries between continuous-time and discrete-time equations defined by operators.
- **sample()**: samples a continuous-time variable and returns a clocked discrete-time expression
- **hold()**: converts from clocked discrete-time to continuous-time by holding the value between clock ticks
- sample operator may take a Clock argument to define when sampling should occur

Mass with Spring Damper

- Consider a continuous-time model

```
partial model MassWithSpringDamper
  parameter Modelica.SIunits.Mass m=1;
  parameter Modelica.SIunits.TranslationalSpringConstant k=1;
  parameter Modelica.SIunits.TranslationalDampingConstant d=0.1;
  Modelica.SIunits.Position x(start=1,fixed=true) "Position";
  Modelica.SIunits.Velocity v(start=0,fixed=true) "Velocity";
  Modelica.SIunits.Force f "Force";
equation
  der(x) = v;
  m*der(v) = f - k*x - d*v;
end MassWithSpringDamper;
```

Synchronous Controller

- Discrete-time controller

model SpeedControl

extends MassWithSpringDamper;

parameter Real K = 20 "Gain of speed P controller";

parameter Modelica.SIunits.Velocity vref = 100 "Speed ref.";

discrete Real vd;

discrete Real u(start=0);

equation

// speed sensor

vd = sample(v, Clock(0.01));

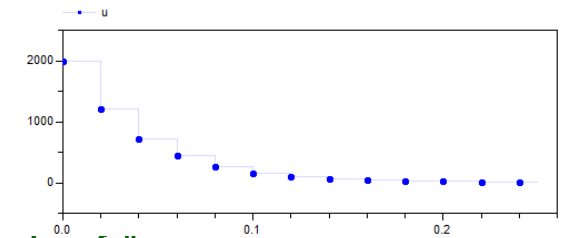
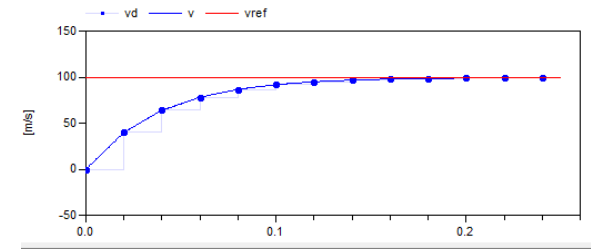
// P controller for speed

u = K*(vref-vd);

// force actuator

f = hold(u);

end SpeedControl;



Sample continuous velocity v
with periodic Clock with period=0.01

The clock of the equation
is inferred to be the same as for the variable
vd which is the result of sample()

Hold discrete variable u
between clock ticks

Discrete-time State Variables

- Operator `previous()` is used to access the value at the previous clock tick (cf `pre()` in Modelica 3.2)
- Introduces discrete state variable
- Initial value needed

- `interval()` is used to inquire the actual interval of a clock

Base-clocks and Sub-clocks

- A Modelica model will typically have several controllers for different parts of the plant.
- Such controllers might not need synchronization and can have different *base clocks*.
- Equations belonging to different base clocks can be implemented by asynchronous tasks of the used operating system.
- It is also possible to introduce *sub-clocks* that tick a certain factor slower than the base clock.
- Such sub-clocks are perfectly *synchronized* with the base clock, i.e. the definitions and uses of a variable are *sorted* in such a way that when sub-clocks are activated at the same clock tick, then the definition is evaluated before all the uses.
- New base type, **Clock**:
`Clock cControl = Clock(0.01);`
`Clock cOuter = subSample(cControl, 5);`

Sub and super sampling and phase

```
model SynchronousOperators
```

```
Real u;
```

```
Real sub;
```

```
Real super;
```

```
Real shift(start=0.5);
```

```
Real back;
```

```
equation
```

```
u = sample(time, Clock(0.1));
```

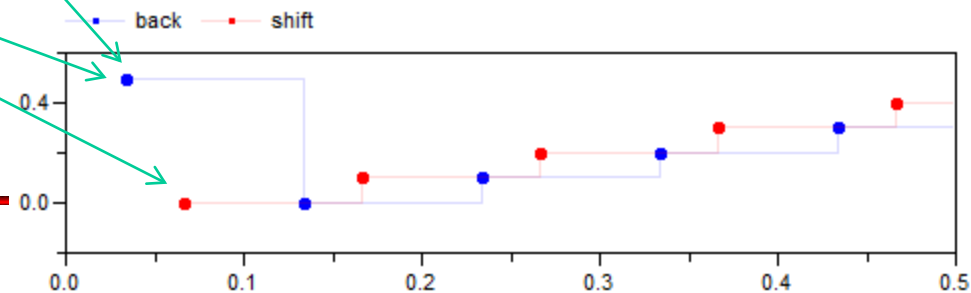
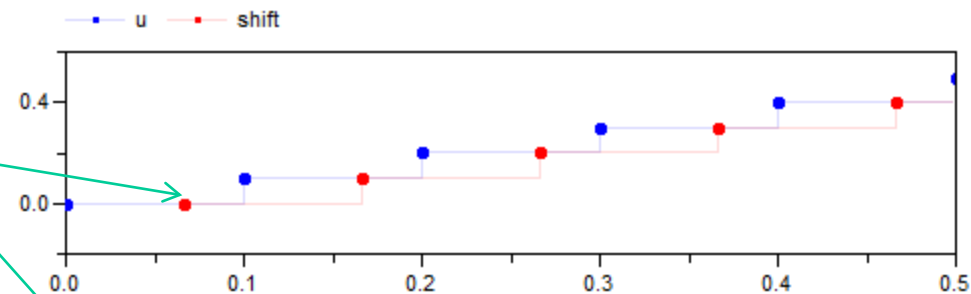
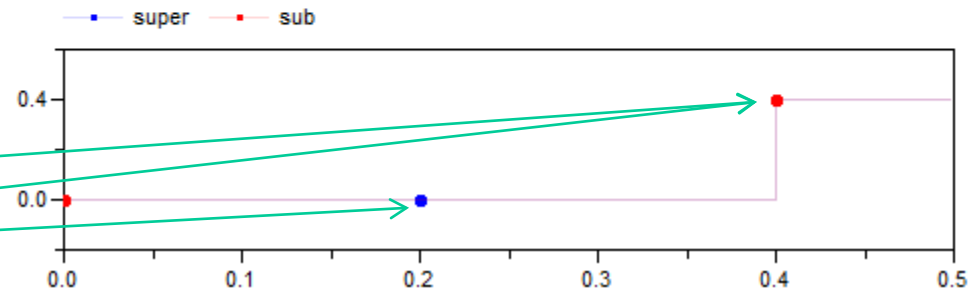
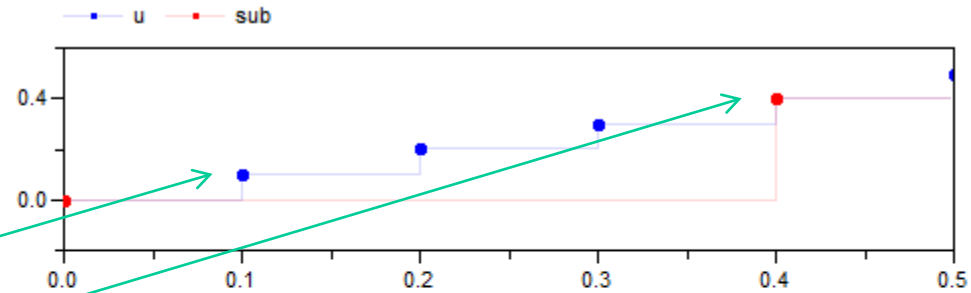
```
sub = subSample(u, 4);
```

```
super = superSample(sub, 2);
```

```
shift = shiftSample(u, 2, 3);
```

```
back = backSample(shift, 1, 3);
```

```
end SynchronousOperators;
```



Exact Periodic Clocks

- Clocks defined by Real number period are not synchronized:

```
Clock c1 = Clock(0.1);
```

```
Clock c2 = superSample(c1,3);
```

```
Clock c3 = Clock(0.1/3); // Not synchronized with c2
```

- Clocks defined by rational number period are synchronized:

```
Clock c1 = Clock(1,10); // period = 1/10
```

```
Clock c2 = superSample(c1,3); // period = 1/30
```

```
Clock c3 = Clock(1,30); // period = 1/30
```

Modelica_Synchronous library

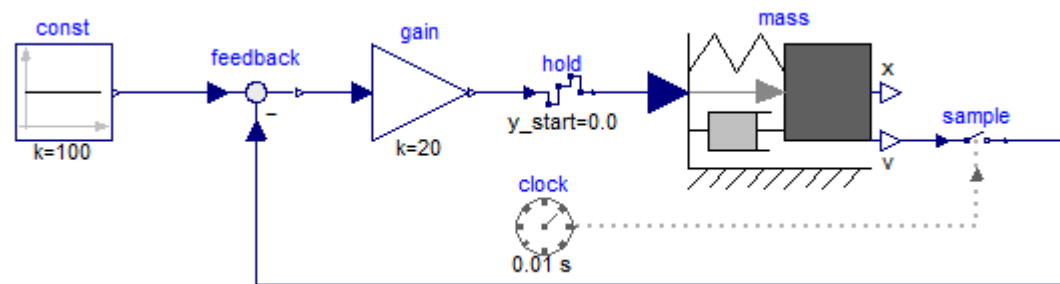
- Synchronous language elements of Modelica 3.3 are “low level”:

```
// speed sensor  
vd = sample(v, Clock(0.01));
```

```
// P controller for speed  
u = K*(vref-vd);
```

```
// force actuator  
f = hold(u);
```

- Modelica_Synchronous library developed to access language elements in a convenient way graphically:



Blocks that generate clock signals

periodicRealClock



0.02 s

Generates a periodic clock with a Real period

```
parameter Modelica.SIunits.Time period;  
ClockOutput y;  
equation  
y = Clock(period);
```

periodicExactClock



20 ms

Generates a periodic clock as an integer multiple of a resolution (defined by an enumeration).

Code for 20 ms period:

```
y = superSample(Clock(20), 1000);
```

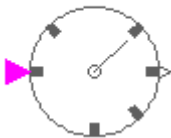
Clock with period 20 s

super-sample clock with 1000

period = 20 / 1000 = 20 ms

y (year)
d (day)
h (hour)
min (minutes)
s (seconds)
ms (milli seconds)
us (micro seconds)
ns (nano seconds)

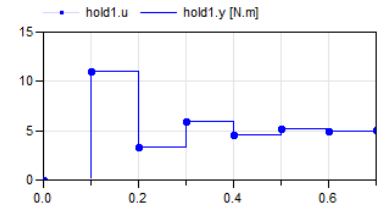
eventClock



Generates an event clock: The clock ticks whenever the continuous-time Boolean input changes from false to true.

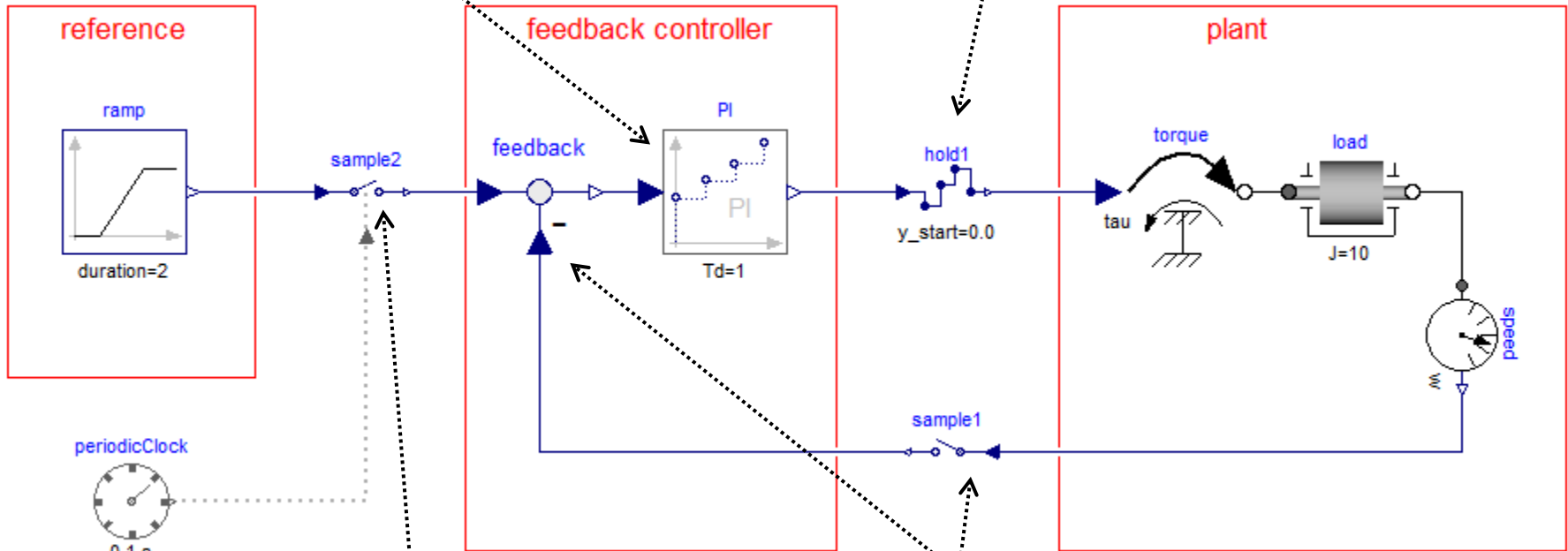
```
y = Clock(u);
```

Sample and Hold



Discrete-time PI controller

Holds a clocked signal and generates a continuous-time signal. Before the first clock tick, the continuous-time output y is set to parameter y_start $y = \text{hold}(u)$;



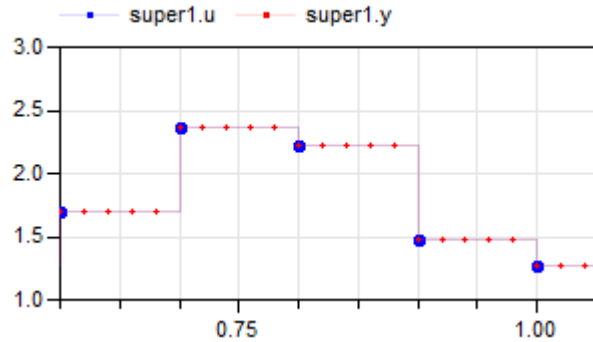
Samples a continuous-time signal and generates a clocked signal.

Purely algebraic block from Modelica.Blocks.Math

$$y = \text{sample}(u, \text{clock});$$

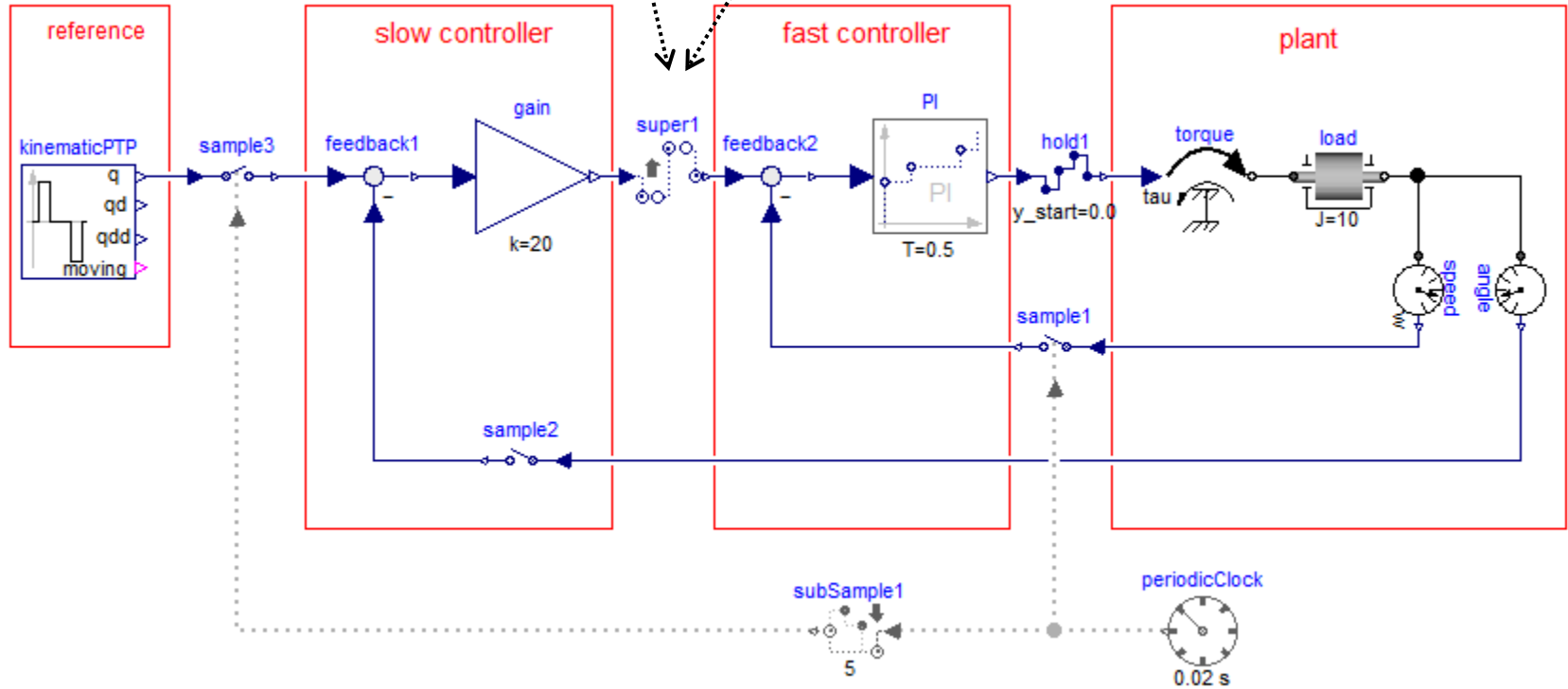
$$y = \text{sample}(u);$$

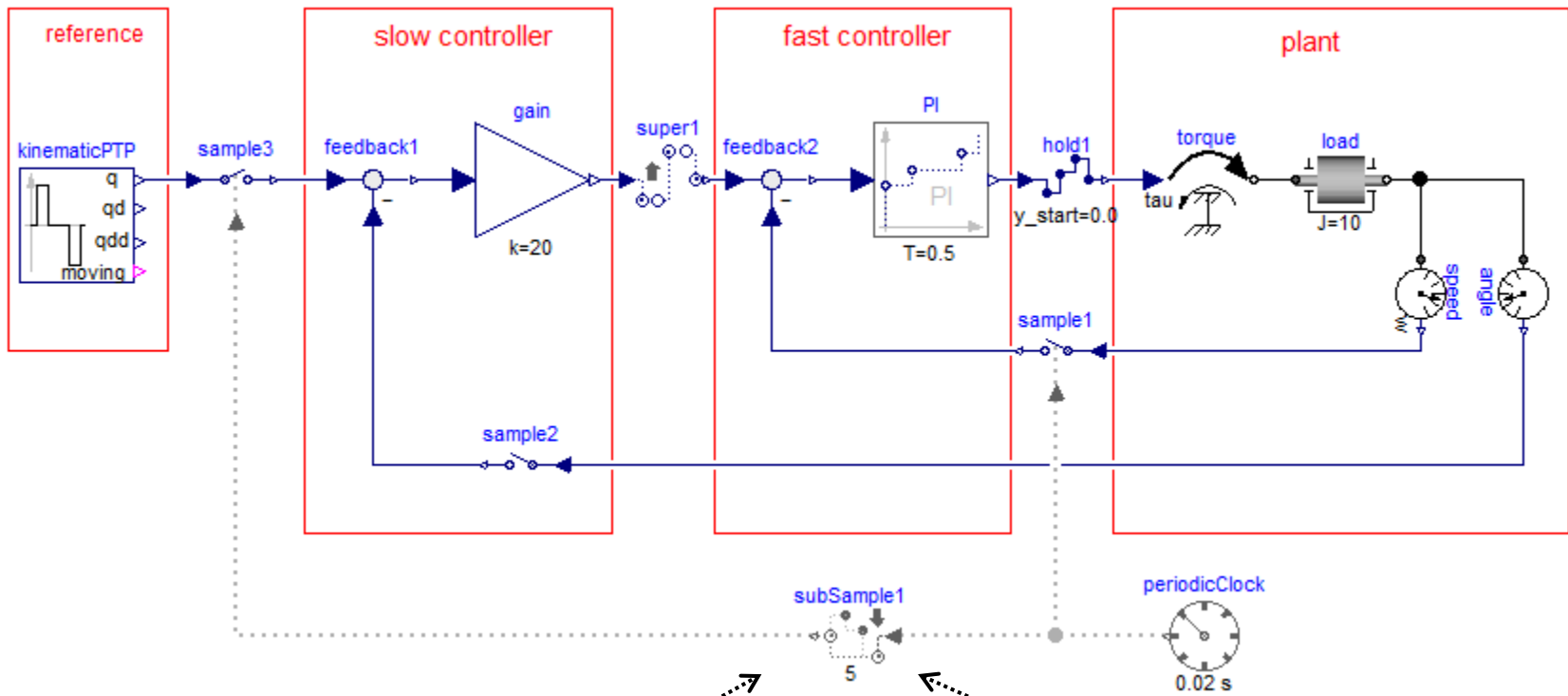
Sub- and Super-Sampling



Defines that the output signal is an integer factor faster as the input signal, using a “hold” semantics for the signal. By default, this factor is inferred. It can also be defined explicitly.

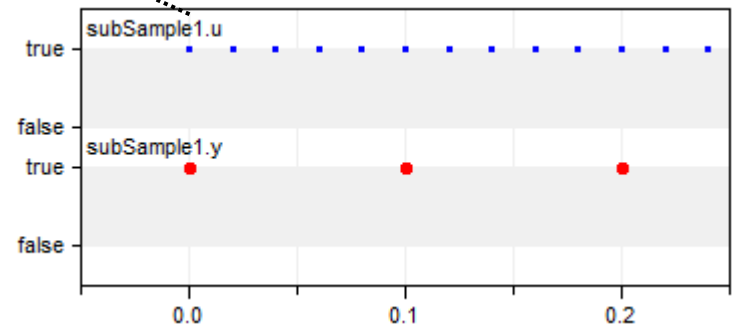
$$y = \text{superSample}(u);$$





Defines that the output signal is an integer factor slower as the input signal, picking every n-th value of the input.

```
y = subSample(u, factor);
```



Varying Interval Clocks

- The first argument of Clock(ticks, resolution) may be time dependent
- Resolution must not be time dependent
- Allowing varying interval clocks
- Can be sub and super sampled and phased

```
model VaryingClock
```

```
  Integer nextInterval(start=1);
```

```
  Clock c = Clock(nextInterval, 100);
```

```
  Real v(start=0.2);
```

```
equation
```

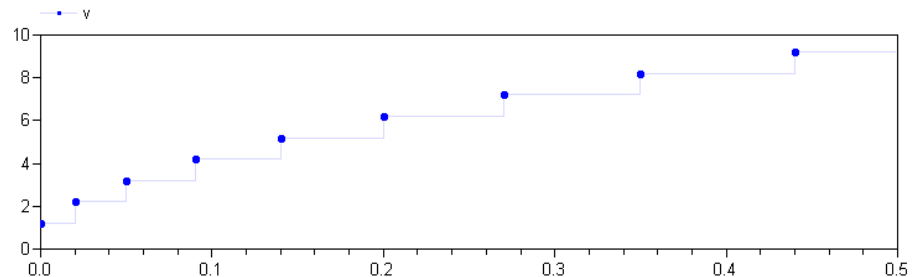
```
  when c then
```

```
    nextInterval = previous(nextInterval) + 1;
```

```
    v = previous(v) + 1;
```

```
  end when;
```

```
end VaryingClock;
```



Boolean Clocks

- Possible to define clocks that tick when a Boolean expression changes from false to true.
- Assume that a clock shall tick whenever the shaft of a drive train passes 180° .

```
model BooleanClock
```

```
  Modelica.SIunits.Angle angle(start=0, fixed=true);
```

```
  Modelica.SIunits.AngularVelocity w(start=0, fixed=true);
```

```
  Modelica.SIunits.Torque tau=10;
```

```
  parameter Modelica.SIunits.Inertia J=1;
```

```
  Modelica.SIunits.Angle offset;
```

```
equation
```

```
  w = der(angle);
```

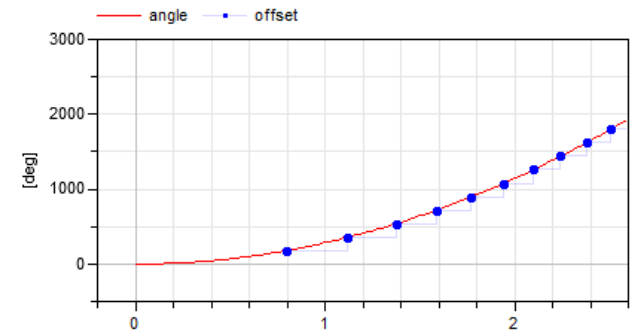
```
  J*der(w) = tau;
```

```
  when Clock(angle >= hold(offset)+Modelica.Constants.pi) then
```

```
    offset = sample(angle);
```

```
  end when;
```

```
end BooleanClock;
```



Discretized Continuous Time

- Possible to convert continuous-time partitions to discrete-time
- A powerful feature since in many cases it is no longer necessary to manually implement discrete-time components
- Build-up a inverse plant model or controller with continuous-time components and then sample the input signals and hold the output signals.
- And associate a solverMethod with the Clock.

model Discretized

Real x1(start=0,fixed=true);

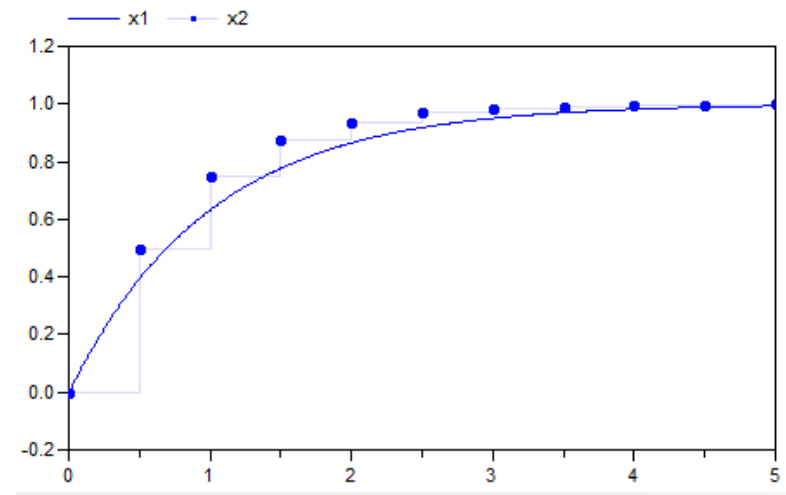
Real x2(start=0,fixed=true);

equation

der(x1) = -x1 + 1;

der(x2) = -x2 + sample(1, Clock(Clock(0.5), solverMethod="ExplicitEuler"));

end Discretized;



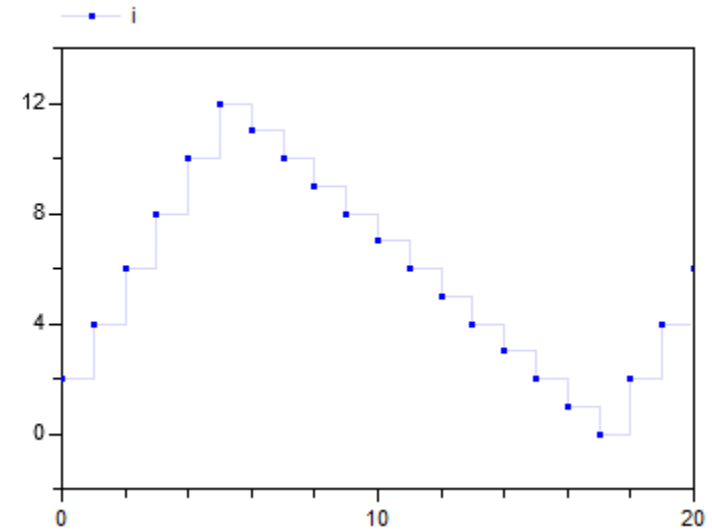
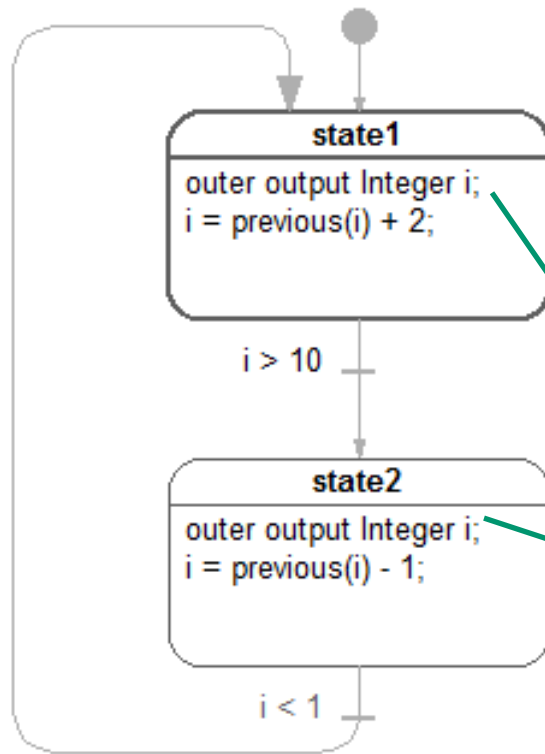
State Machines

- Modelica extended to allow modeling of control systems
- Any block without continuous-time equations or algorithms can be a **state** of a state machine.
- Transitions between such blocks are represented by a new kind of connections associated with transition conditions.
- The complete semantics is described using only 13 Modelica equations.
- A cluster of block instances at the same hierarchical level which are coupled by **transition** equations constitutes a state machine.
- All parts of a state machine must have the same clock. *(We will work on removing this restriction ,allowing mixing clocks and allowing continuous equations, in future Modelica versions.)*
- One and only one instance in each state machine must be marked as initial by appearing in an **initialState** equation.

A Simple State Machine

inner i

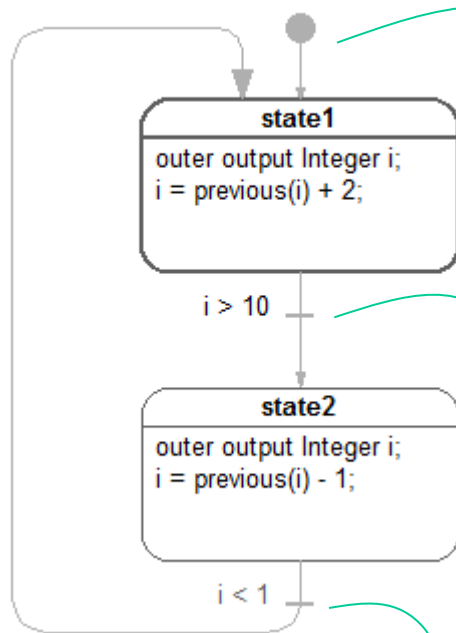
inner Integer i(start=0);



outer output i

A Simple State Machine – Modelica Text Representation

inner Integer i(start=0);



```
model StateMachine1
  inner Integer i(start=0);
  block State1
    outer output Integer i;
    equation
      i = previous(i) + 2;
    end State1;
  State1 state1;
```

```
block State2
  outer output Integer i;
  equation
    i = previous(i) - 1;
  end State2;
  State2 state2;
```

```
equation
  initialState(state1);
  transition(state1, state2, i > 10, immediate=false);
  transition(state2, state1, i < 1, immediate=false);
end StateMachine1;
```

Merging Variable Definitions

- An **outer output** declaration means that the equations have access to the corresponding variable declared **inner**.
- Needed to maintain the **single assignment** rule.
- **Multiple definitions** of such outer variables in different mutually exclusive states of one state machine need to be **merged**.
- In each state, the outer output variables (v_j) are solved for (expr_j) and, for each such variable, a single definition is automatically formed:
- $v :=$ **if** $\text{activeState}(\text{state}_1)$ **then** expr_1
 elseif $\text{activeState}(\text{state}_2)$ **then** expr_2
 elseif ... **else** $\text{last}(v)$
- **last()** is a special internal semantic operator returning its input. It is just used to mark for the sorting that the incidence of its argument should be ignored.
- A start value must be given to the variable if not assigned in the initial state.
- Such a newly created assignment equation might be merged on higher levels in nested state machines.

Defining a State machine

transition(from, to, condition, immediate, reset, synchronize, priority)

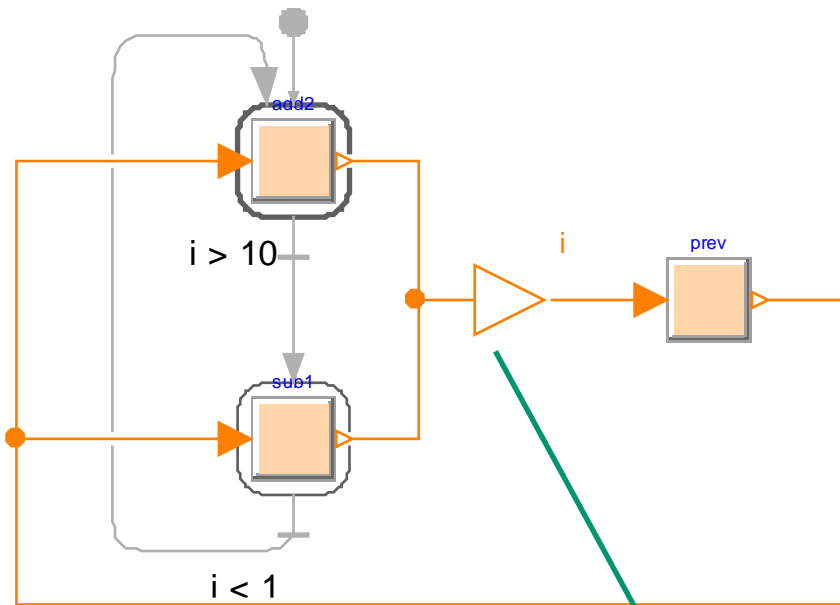
- This operator defines a transition from instance “from” to instance “to”. The “from” and “to” instances become states of a state machine.
- The transition fires when condition = true if immediate = true (this is called an “**immediate transition**”) or previous(condition) when immediate = false (this is called a “**delayed transition**”).
- If **reset** = true, the states of the target state are reinitialized, i.e. state machines are restarted in initial state and state variables are reset to their start values.
- If **synchronize** = true, the transition is disabled until all state machines within the from-state have reached the final states, i.e. states without outgoing transitions.
- “from” and “to” are block instances and “condition” is a Boolean expression.
- “immediate”, “reset”, and “synchronize” (optional) are of type Boolean, have parametric variability and a default of true, true, false respectively.
- “priority” (optional) is of type Integer, has parametric variability and a default of 1 (highest priority). Defines the priority of firing when several transitions could fire.

initialState(state)

- The argument “state” is the block instance that is defined to be the initial state of a state machine.

Conditional Data Flows

- Alternative to using **outer output** variables is to use conditional data flows.



```
block Increment
  extends Modelica.Blocks.Interfaces.PartialIntegerSISO;
  parameter Integer increment;
  equation
    y = u + increment;
  end Increment;
```

```
block Prev
  extends Modelica.Blocks.Interfaces.PartialIntegerSISO;
  equation
    y = previous(u);
  end Prev;
```

protected connector (node) i

Merge of Conditional Data Flows

- It is possible to **connect several outputs to inputs** if all the outputs come from states of the same state machine.

$$u_1 = u_2 = \dots = y_1 = y_2 = \dots$$

with u_i inputs and y_i outputs.

- Let variable v represent the signal flow and rewrite the equation above as a set of equations for u_i and a set of assignment equations for v :

- $v :=$ **if** activeState(state₁) **then** y_1 **else** last(v);

- $v :=$ **if** activeState(state₂) **then** y_2 **else** last(v);

...

$$u_1 = v$$

$$u_2 = v$$

...

- The **merge** of the definitions of v is then made as described previously:

$v =$ **if** activeState(state₁) **then** y_1

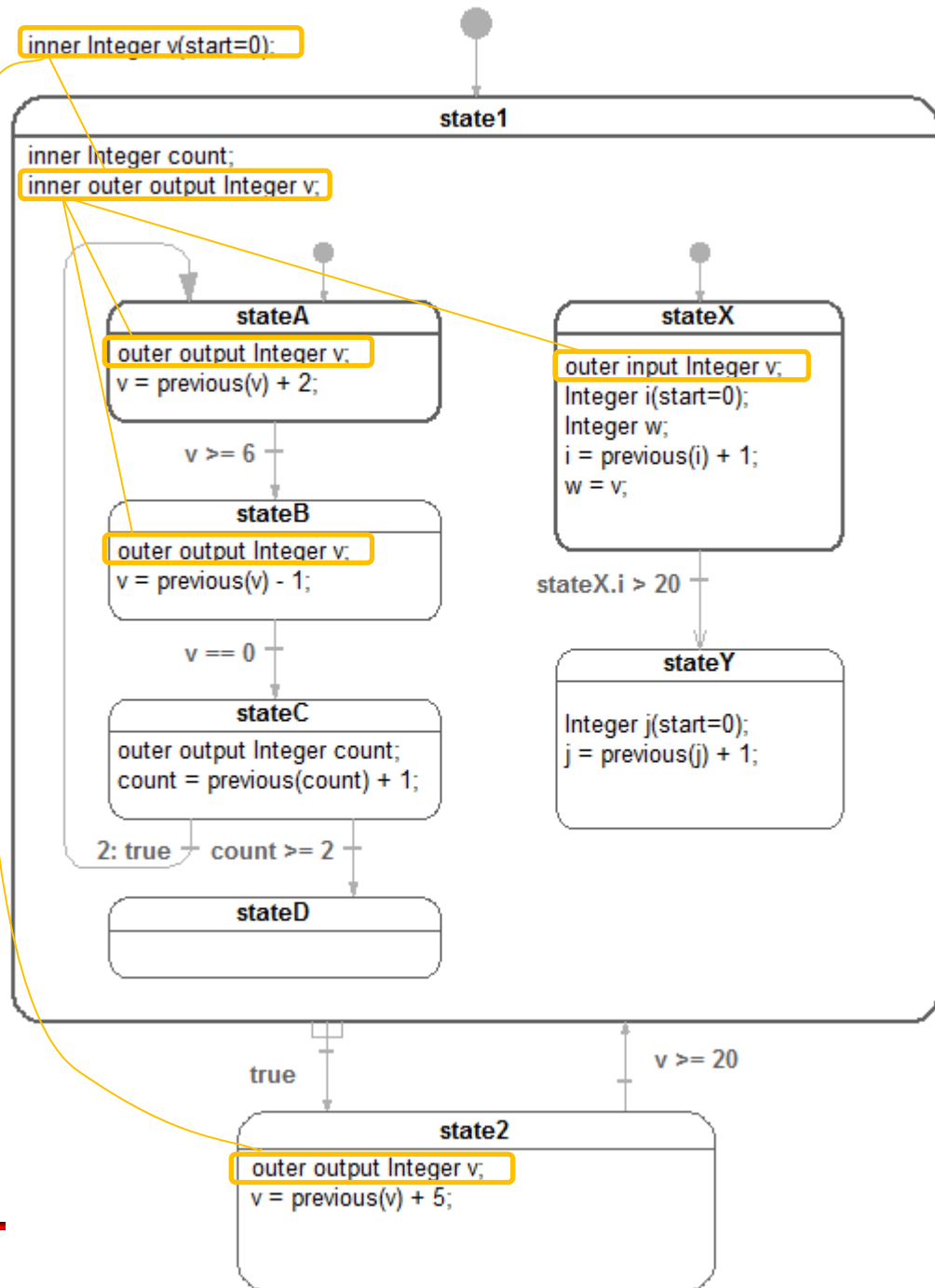
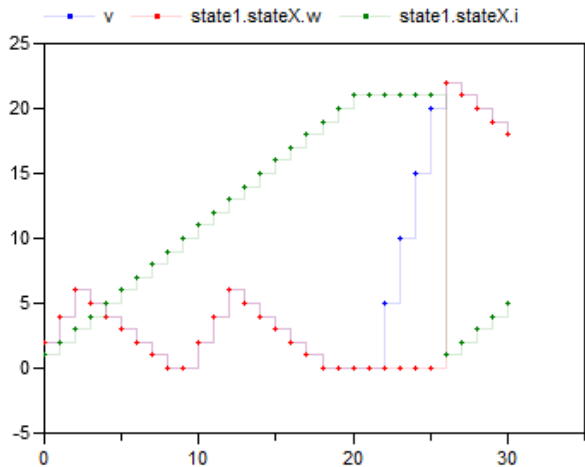
elseif activeState(state₂) **then** y_2

elseif ... **else** last(v)

...

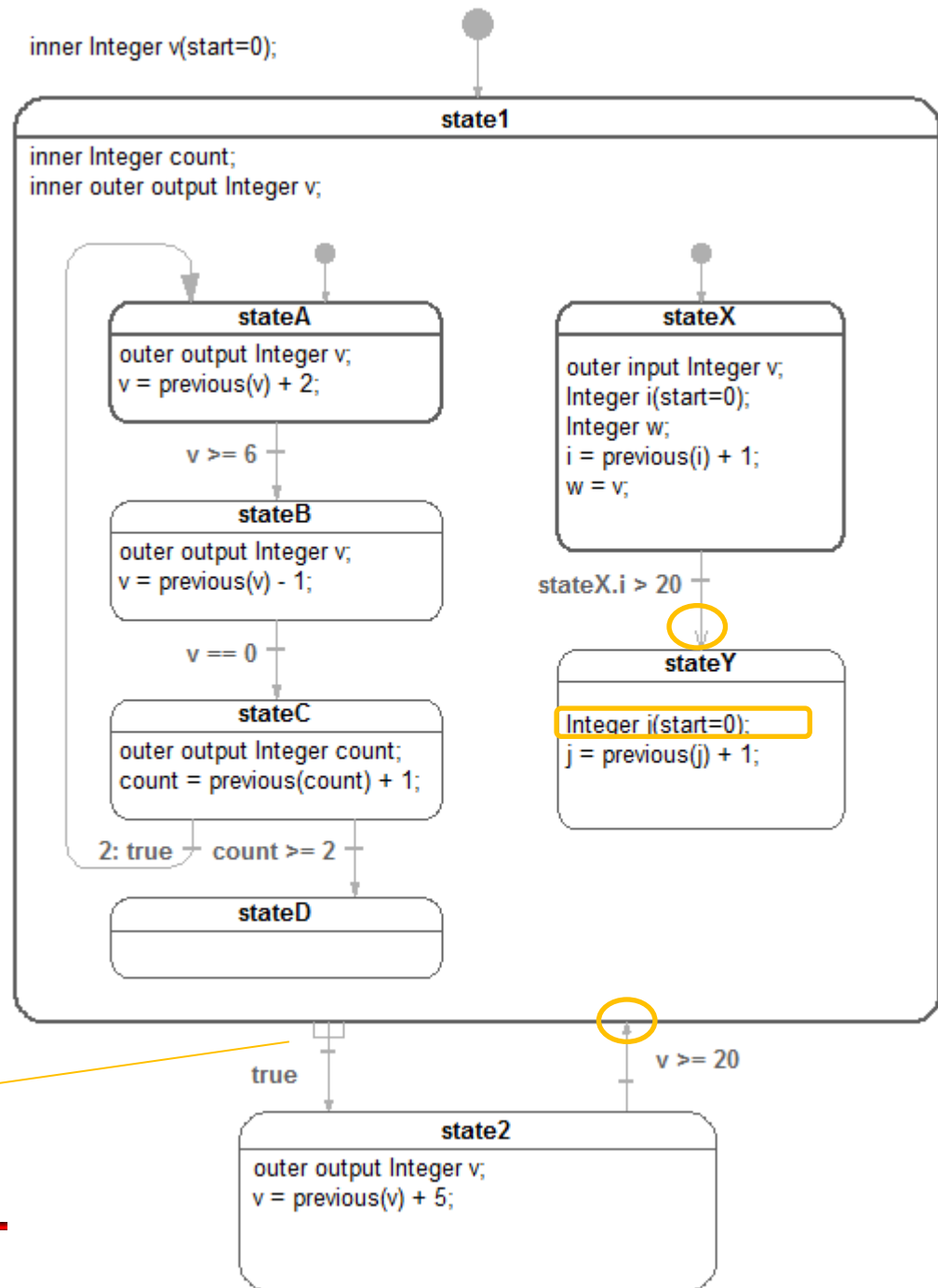
Hierarchical State Machine Example

- stateA declares v as 'outer output'.
- state1 is on an intermediate level and declares v as 'inner outer output', i.e. matches lower level outer v by being inner and also matches higher level inner v by being outer.
- The top level declares v as inner and gives the start value.

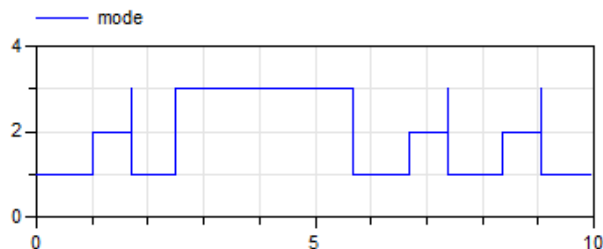
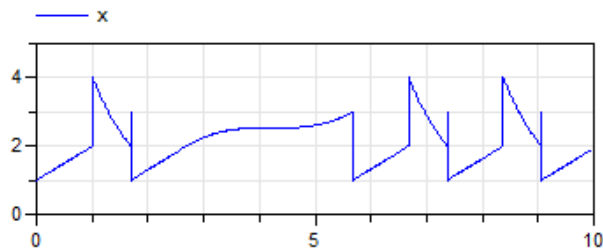
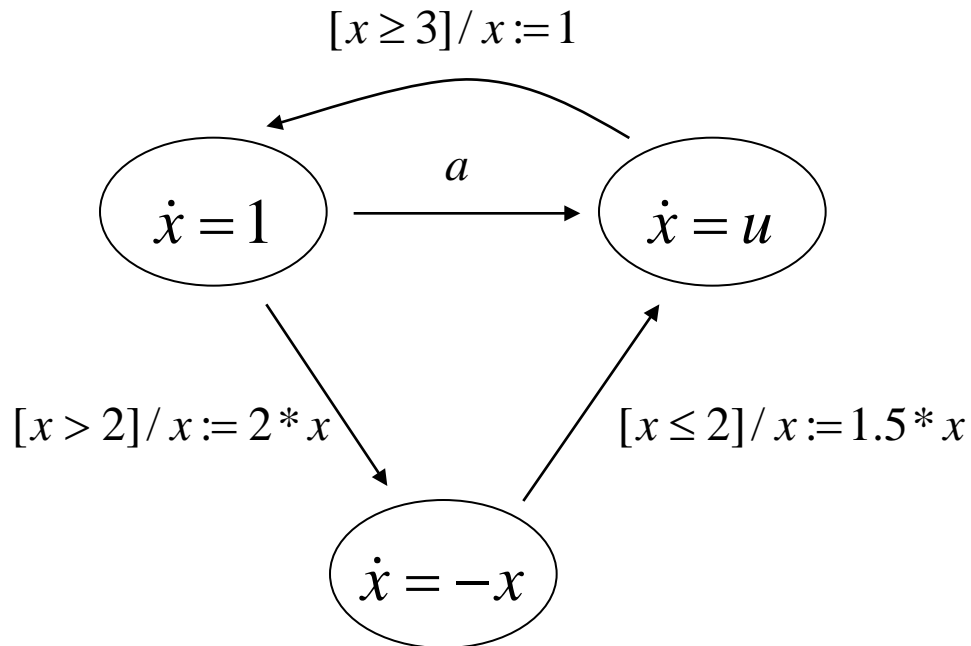


Reset and Synchronize

- count is defined with a start value in state1. It is **reset** when a reset transition ($v \geq 20$) is made to state1.
- stateY declares a local counter j. It is **reset** at start and as a consequence of the reset transition ($v \geq 20$) from state2 to state1.
- The **reset** of j is **deferred** until stateY is entered by transition ($\text{stateX.i} > 20$) although this transition is not a reset transition.
- **Synchronizing** the exit from the two parallel state machines of state1 is done by using a synchronized transition.



Hybrid Automata (Modelica 3.2-, 2006)



```

model Hybrid1
  Real x(start=1);
  Integer mode(start=1);
  Boolean a=time>2.5;
equation
  if mode == 1 then
    der(x) = 1;
  elseif mode==2 then
    der(x) = -x;
  else
    der(x) = 1+sin(time+0.5);
  end if;

```

```

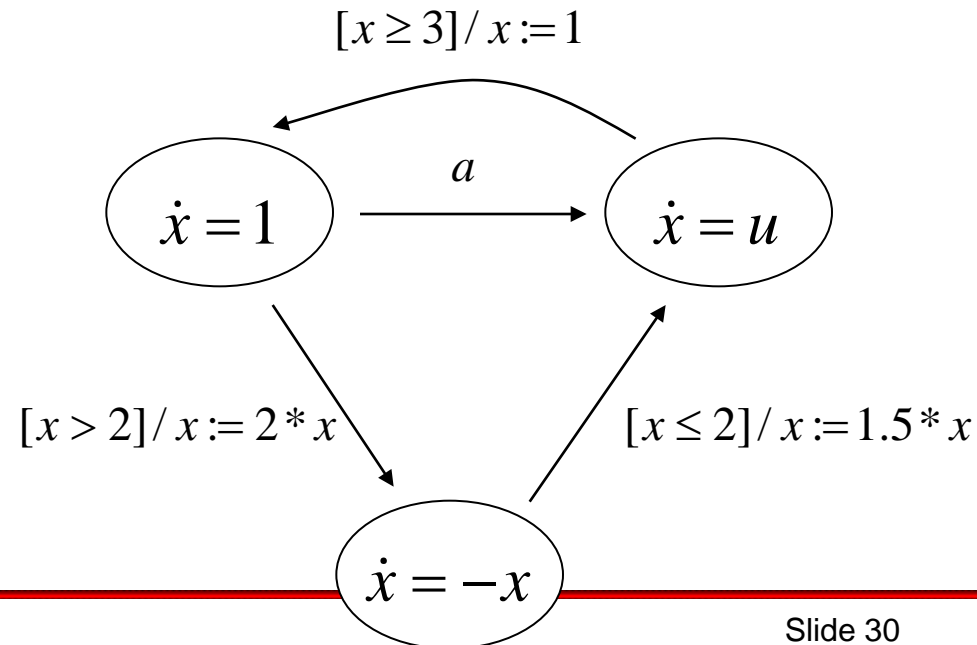
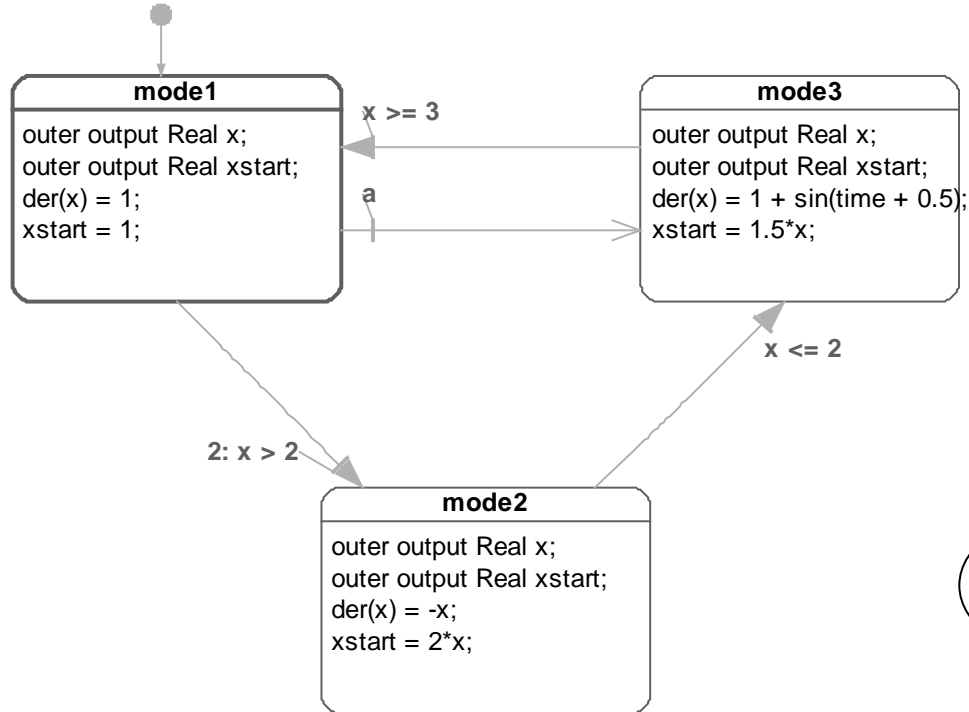
algorithm
  when x>2 and mode==1 then
    mode :=2;
    reinit(x, 2*x);
  elseif edge(a) and mode==1 then
    mode :=3;
  elseif x<=2 and mode==2 then
    mode :=3;
    reinit(x, 1.5*x);
  elseif x>=3 and mode==3 then
    mode :=1;
    reinit(x, 1);
  end when;
end Hybrid1;

```

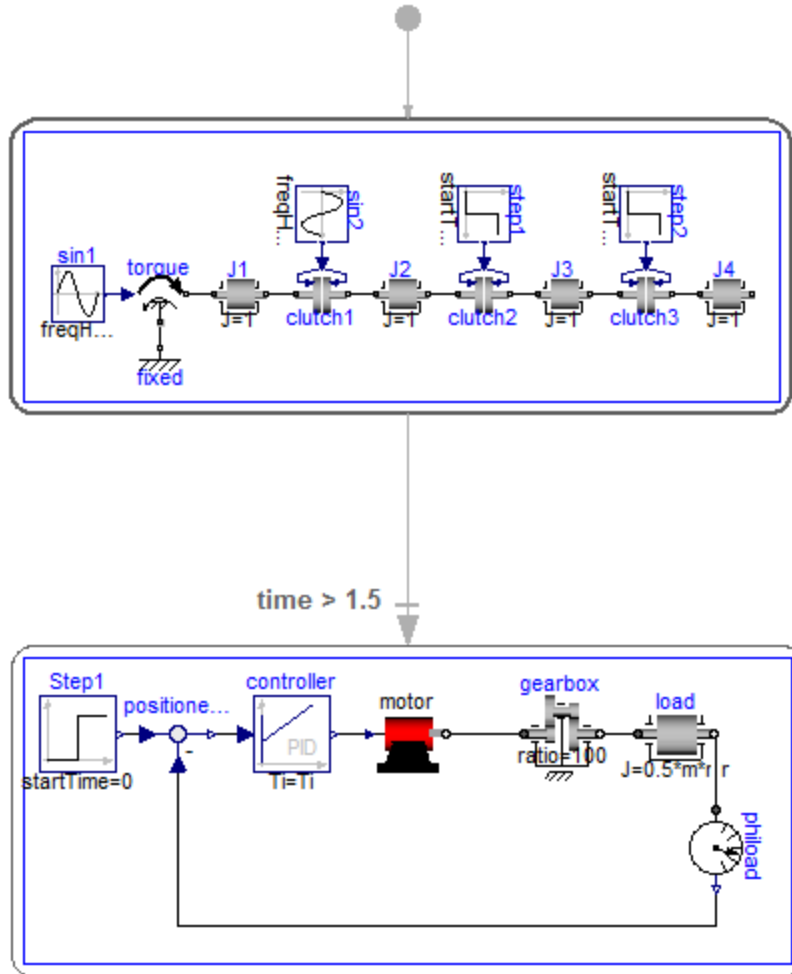
Hybrid Automata with Modelica 3.3+ (prototype)

```

inner Real xstart(start=1, fixed=true);
inner Real x(start=xstart, fixed=true);
Boolean t3=time > 2.5;
Boolean a=edge(t3);
    
```



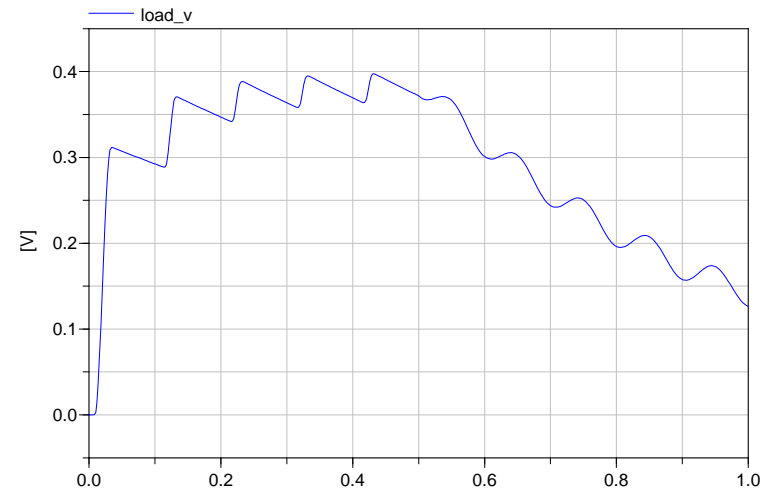
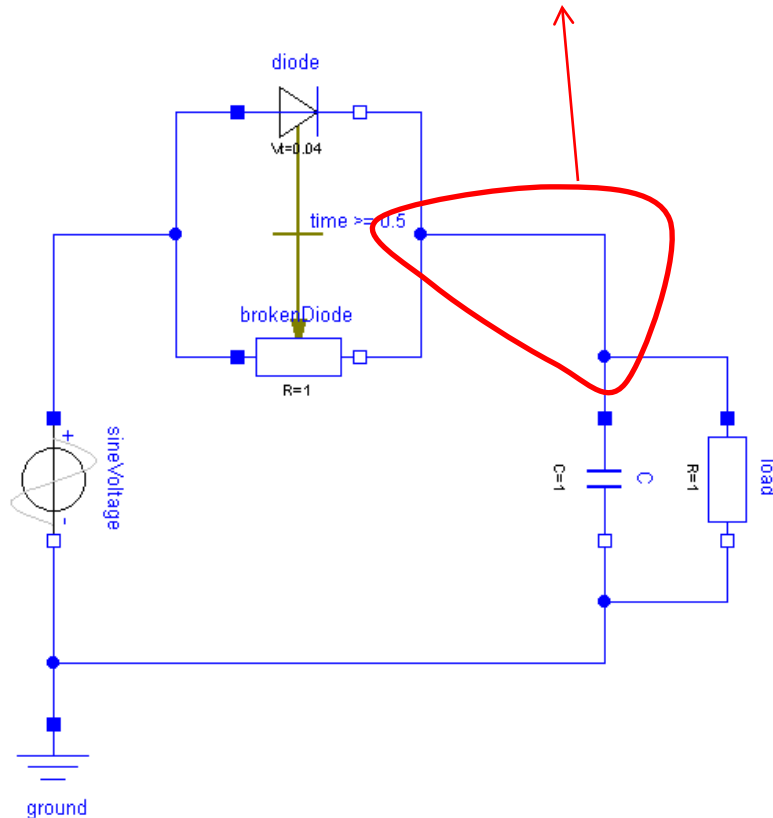
Acausal Models in States – Modelica 3.3+



- The equations of each state is guarded by the activity condition
- Should time variable be stopped when not active?
- Should time be reset locally in state by a reset transition?
- Special Boolean operator `exception()` to detect a problem in one model and transition to another model

Multiple Acasual Connections

- `// C_p_i+brokenDiode_n_i+diode_n_i+load_p_i = 0.0;`
- Replaced by:
- `C_p_i +`
`(if activeState(brokenDiode) then brokenDiode_n_i else 0) +`
`(if activeState(diode) then diode_n_i else 0) +`
`load_p_i = 0.0;`



Conclusions

- We have introduced synchronous features in Modelica 3.3.
- For a discrete-time variable, its clock is associated with the variable type and inferencing is supported.
- Special operators have to be used to convert between clocks.
- This gives an additional safety since correct synchronization is guaranteed by the compiler.

- We have described how state machines can be modeled in Modelica 3.3.
- Instances of blocks connected by transitions with one such block marked as an initial state constitute a state machine.
- Hierarchical state machines can be defined with reset or resume semantics, when re-entering a previously executed state.
- Parallel sub-state machines can be synchronized when they reached their final states.
- Special merge semantics have been defined for multiple outer output definitions in mutually exclusive states as well as conditional data flows.